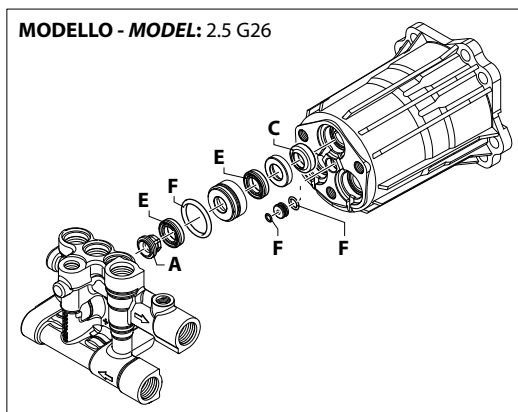
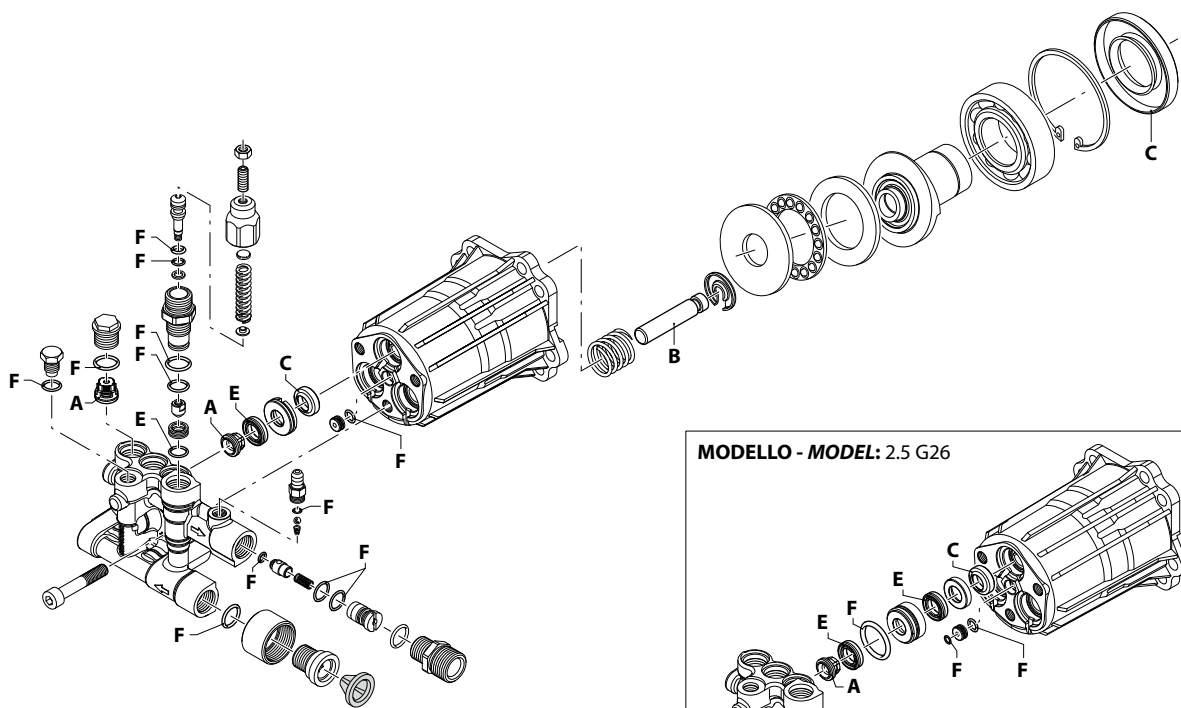


UN003252-AV

KIT RICAMBI / PART KITS



- A**
- B**
- C**
-
- E**
- F**
-

UN003253-AV



Pos.	Cod. Part n°	Denominazione	Description	Q.tà Q.ty	Note Vedi / See	Pos.	Cod. Part n°	Denominazione	Description	Q.tà Q.ty	Note Vedi / See
1	380410	Vite TCEI M 8x40	Screw	3	● ⊗ 25 Nm	42	2840270	Raccordo aspirazione	Suction fitting	1	3/4" NH
	800220	Vite TCEI M 8x40	Screw	3	□ ⊗ 25 Nm	43	2840390	Raccordo aspirazione	Suction fitting	1	⊗ 25 Nm
2	2840870	Testa pompa	Pump head	1	●	44	1266330	Filtro	Filter	1	
	2840860	Testa pompa	Pump head	1	□	46	2840400	Raccordo mandata	Outlet fitting	1	⊗ 25 Nm
6	2840830	Tappo valvola	Plug	1		48	2840060	Molla	Spring	3	
7	600180	OR Ø 7,66x1,78	O-Ring	1		49	2840040	Pistone	Piston	3	●
8	2840130	Tappo valvola	Plug	3	⊗ 11 Nm	50	2840040	Pistone	Piston	3	□
9	740290	OR Ø 14x1,78	O-Ring	4		51	2840050	Anello	Ring	3	
10	2849051	Valvola completa	Complete valve	6	●	52	1980130	Ralla	Thrust bearing	1	
	2849050	Valvola completa	Complete valve	6	□	53	1980250	Gabbia completa	Complete cage	1	
11	1470210	OR Ø 9x1	O-Ring	1		54	1980240	Ralla	Thrust bearing	1	
12	2840770	Sede	Seat	1		55	2840900	Albero femmina	Hollow shaft	1	●
13	2840760	Otturatore by pass	By-pass jet	1	⊗ 2 Nm	56	2840900	Albero femmina	Hollow shaft	1	□
14	820510	OR Ø 10,82x1,78	O-Ring	1		57	161060	Cuscinetto	Bearing	1	
15	2840750	Guida pistone	Piston guide	1	⊗ 25 Nm	58	161050	Anello seeger Øi 72	Circlip	1	
16	2760210	Anello antiestrusione	Ring	1		59	2840310	Anello tenuta	Seal	1	●
17	660190	OR Ø 6,07x1,78	O-Ring	1			2841050	Anello tenuta	Seal	1	□
18	2260100	OR Ø 6,02x2,62	O-Ring	1			2840890	OR Ø 14x2	O-Ring	2	
19	2760400	Pistone	Piston	1			1683500	Boccola	Bushing	3	□
20	1980300	Dado M 6	Nut	1							
21	392840	Grano M 6X16	Grub screw	1							
22	2760480	Inserto manopola	Handle insert	1							
23	1980220	Piattello molla	Plate spring	2							
24	2760410	Molla	Spring	1							
25	2200141	Guarnizione	Gasket	3	●						
	2200141	Guarnizione	Gasket	6	□						
26	770260	OR Ø 23,52x1,78	O-Ring	3	□						
27	2840090	Boccola	Bushing	3	●						
28	2840540	Boccola	Bushing	3	□						
29	1683500	Anello tenuta	Seal	3							
30	2840230	Corpo pompa	Housing	1							
31	480560	OR Ø 6,75x1,78	O-Ring	1							
32	2840710	Tappo olio	Oil plug	1							
33	480480	OR Ø 4,48x1,78	O-Ring	1							
34	1982520	Portagomma	Hose tail	1	⊗ 4 Nm						
35	1250280	Sfera	Ball	1							
36	1560520	Molla	Spring	1							
37	1460430	OR Ø 4x2,5	O-Ring	1							
38	2840350	Otturatore	Jet	1							
39	1343580	Molla	Spring	1							
40	800560	OR Ø 8,73x1,78	O-Ring	2							
41	2840340	Iniettore detergente	Detergent injector	1							

KIT RICAMBI - PART KITS

A=KIT 2233 valvole valves		B=KIT 2234 pistoni pistons		C=KIT 2236 ● tenute olio oil seals		C=KIT 42127 □ tenute olio oil seals	
Pos.	Q.ty	Pos.	Q.ty	Pos.	Q.ty	Pos.	Q.ty
10	6	49	3	29	3	29	3
				57	1	57	1

SIMBOLOGIA - SYMBOLS

● Per / For RMV 2 G23	□ Per / For RMV 2.5 G26
⊗ = Coppia serraggio (Tolleranza +0 / -10% Nm)	
⊗ = Torque wrench (Allowance +0 / -10% Nm)	

E=KIT 42122 ● tenute acqua water seals		E=KIT 2235 □ tenute acqua water seals		F=KIT 2237 OR O-Rings			
Pos.	Q.ty	Pos.	Q.ty	Pos.	Q.ty	Pos.	Q.ty
25	3	25	6	7	1	26	3
				9	4	31	1
				11	1	33	2
				14	1	37	1
				17	1	40	2
				18	1	58	2

